



Safety, Efficient & Earth friendly

I.T.E AC/DC Adaptor 12W Series Wall Mount

UCB Series



Product Highlights:

- ✓ Stability
- ✓ Compact size
- ✓ Energy efficiency
- ✓ Available at Japan, Taiwan & US type
- ✓ Suit MP3 player, PDA, Portable GPS device.

Protection:

- ✓ Short circuit protection
- ✓ Over Voltage Protection
- ✓ Over Current Protection

Efficiency:

- ✓ CEC Level 5
- ✓ Energy Star 2.0

Safety Approvals:

- ✓ PSE
- ✓ CEC-400
- ✓ IEC60950
- ✓ CE (Low Voltage Directive)

Emissions:

- ✓ CE CISPR 22 Class B
- ✓ VCCI Class B

Immunity:

- ✓ EN55024/A1:2001
- ✓ Electrostatic discharge: 61000-4-2
- ✓ Radiated electromagnetic fields:61000-4-3
- ✓ Fast transients (Burst): 61000-4-4
- ✓ Surge transients: 61000-4-5
- ✓ Conducted disturbance: 61000-4-6
- ✓ Voltage dips, interruptions & Variations:61000-4-11

Electrical Spec: Absolute Maximum Rating

| Input | | | | | |
|-------------|-----|---------|-----|-------|-----------------------------|
| Description | Min | Typ | Max | Units | Comment |
| Voltage | 90 | 120/240 | 264 | VAC | 2 Wire No Protection Ground |
| Frequency | 47 | 50/60 | 63 | Hz | |

| Environmental | | | | | |
|---------------------------|-----|-----|-----|-------|---------------------------|
| Description | Min | Typ | Max | Units | Comment |
| Operating Temperature | 0 | - | 40 | °C | Free Convection,Sea level |
| Non-Operating Temperature | -20 | - | 65 | °C | Free Convection,Sea level |
| Operating Humidity | 10 | - | 90 | %RH | No Condensing |
| Non-Operating Humidity | 10 | - | 90 | %RH | No Condensing |

Typical model list:

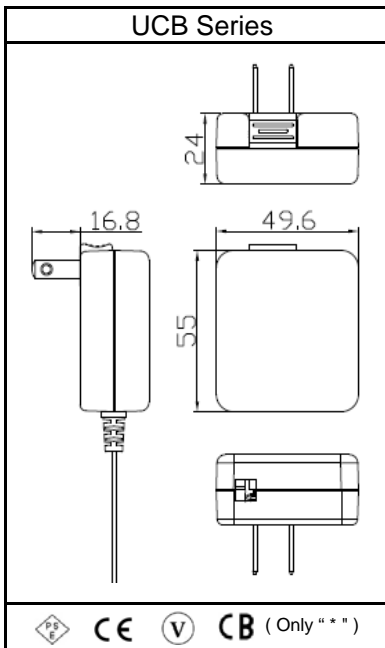
I.T.E AC/DC Adaptor 12W Series Wall Mount

| Input Condition | | DC Output Voltage | DC Output Current | Output Voltage Precision | Ripple & Noises | Regulation | | Option/Remark |
|---|----|-------------------|-------------------|--------------------------|-----------------|------------|------|---------------|
| | | | | | | Line | Load | |
| Input Voltage: 90V-264Vac Frequency: 47-63Hz | 1* | 3V | 2.0A | ±5% | 50mV | ±1% | ±5% | |
| | 2* | 3.3V | 2.0A | ±5% | 50mV | ±1% | ±5% | |
| | 3* | 5V | 2.0A | ±5% | 50mV | ±1% | ±5% | |
| | 4 | 5.5V | 2.0A | ±5% | 50mV | ±1% | ±5% | |
| | 5 | 6V | 2.0A | ±5% | 60mV | ±1% | ±5% | |
| | 6 | 7V | 1.4A | ±5% | 70mV | ±1% | ±5% | |
| | 7 | 7V | 1.6A | ±5% | 70mV | ±1% | ±5% | |
| | 8 | 7.5V | 1.6A | ±5% | 75mV | ±1% | ±5% | |
| | 9 | 9V | 1.3A | ±5% | 90mV | ±1% | ±5% | |
| | 10 | 12V | 1.0A | ±5% | 120mV | ±1% | ±5% | |
| | 11 | 15V | 0.8A | ±5% | 150mV | ±1% | ±5% | |
| | 12 | 24V | 0.5A | ±5% | 240mV | ±1% | ±5% | |
| | 13 | - | - | - | - | - | - | - |

Measurement condition

1. Measurements shall be made with an oscilloscope with 20MHz bandwidth.
2. Outputs shall be bypassed at the connector with a 0.1uF ceramic disk capacitor and a 10uF electrolytic capacitor to simulate system loading.

Mechanical Spec:



Packing Spec:

| Type | Pcsper Carton | Gross Weight (kg) | Net Weight(kg) | Size(mm) | CBM(m ²) | Container | Ctn/Container | Pcs/Container | Gross Weingt (Ton) | Remark |
|--------|---------------|-------------------|----------------|-------------|----------------------|-----------|---------------|---------------|--------------------|---------------|
| UCB112 | 100 | 9.5 | 8 | 406x250x298 | 1x1.2 | 20 | 800 | 80000 | 7840 | With Gift Box |
| UCB312 | 120 | 12.6 | 9.6 | 565x393x255 | 1x1.2 | 20 | 400 | 48000 | 5280 | Bulk package |